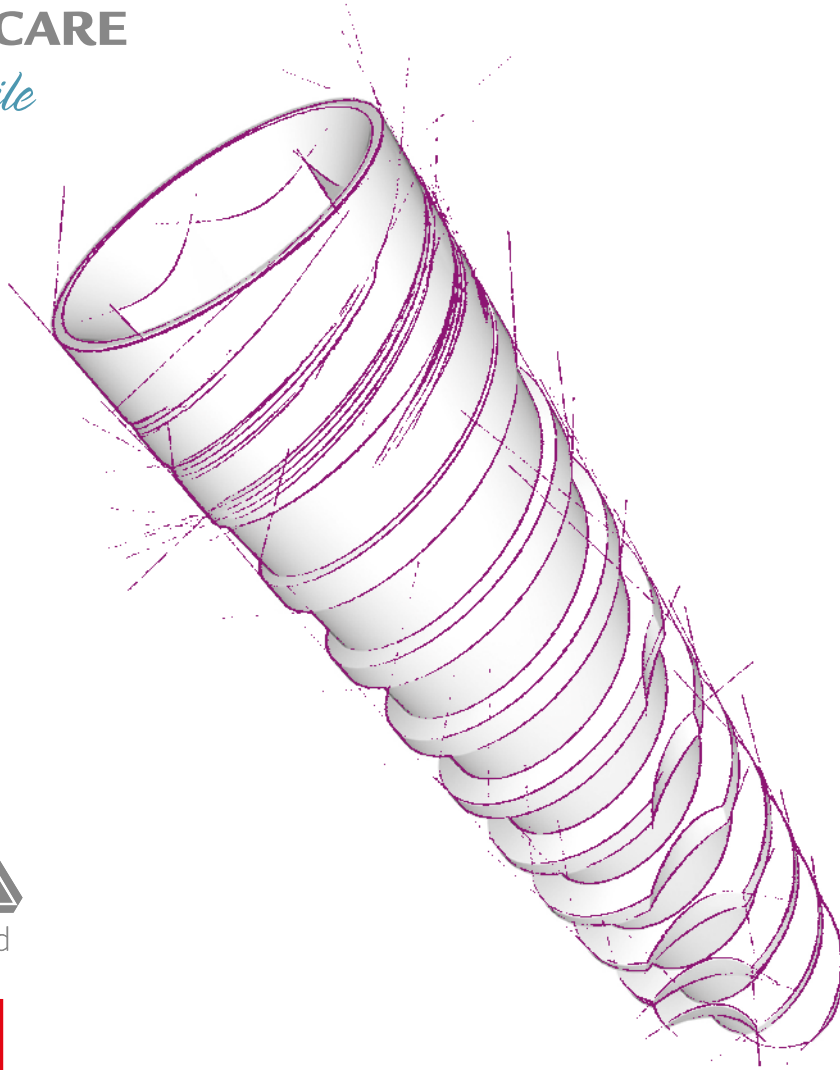




JDENTAL CARE

just smile



Approved

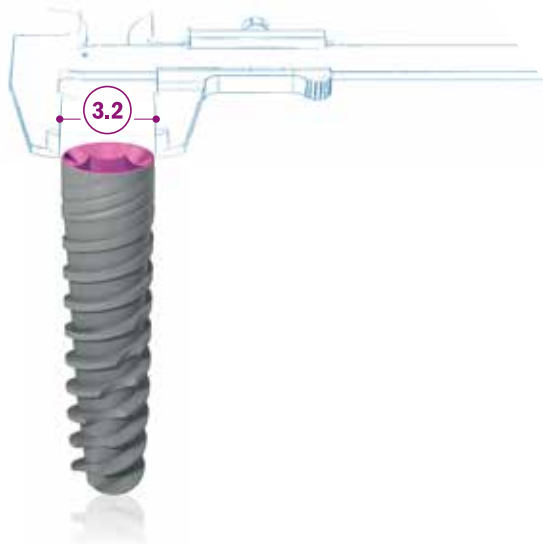


MADE IN ITALY

Dental Implant

JD EVOLUTION[®]S

SAFE AS ALWAYS, THINNER THAN EVER

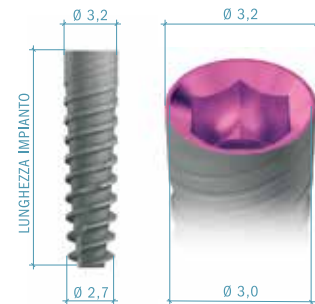


ADVANTAGES

- High primary stability, even in type 4 bone.
- Self drilling and self cutting.
- Redirecting capability for optimal placement.
- Immediate function capability.
- Built-in Platform switching.
- Solves tight spacing problems.
- Designed specifically for narrow spaces in the esthetic zone.

IMPLANT MEASURES AND LENGTHS

The JDEvolution®S dental implant is available in the lengths shown in the following chart:



DRILLING SEQUENCE

It is recommended to adhere to the indications of the following drilling sequence to ensure optimal primary stability of the implant.

IMPLANT DIAMETER	SOFT BONE TYPE IV	MEDIUM BONE TYPE II-III	DENSE BONE TYPE I
Ø 3.2	1,5 (2)	2 2,4	2 2,4 (2,8)

Note: All dimensions are expressed in millimeters.

PRODUCT CATALOGUE

Implants:

Ø 3,2

EV32 080	JDEvolution [®] S Ø 3.2 L 8
EV32100	JDEvolution [®] S Ø 3.2 L 10
EV32115	JDEvolution [®] S Ø 3.2 L 11,5
EV32130	JDEvolution [®] S Ø 3.2 L 13
EV32150	JDEvolution [®] S Ø 3.2 L 15



Cover screw:

ESCS	Cover screw JDEvolution [®] S
------	--



Healing Abutment:

ESHA323	Healing Abutment Ø 3.2 H 3.0 JDEvolution [®] S
ESHA325	Healing Abutment Ø 3.2 H 5.0 JDEvolution [®] S
ESHA327	Healing Abutment Ø 3.2 H 7.0 JDEvolution [®] S
ESHA403	Healing Abutment Ø 4.0 H 3.0 JDEvolution [®] S
ESHA405	Healing Abutment Ø 4.0 H 5.0 JDEvolution [®] S
ESHA407	Healing Abutment Ø 4.0 H 7.0 JDEvolution [®] S



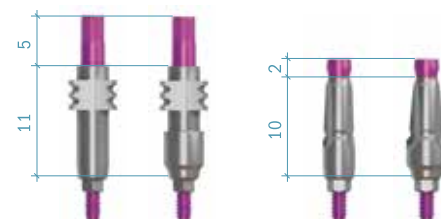
Impression coping:

OPEN TRAY

ESICOT32C	Impression coping open tray Ø 3.2 JDEvolution [®] S
ESICOT40C	Impression coping open tray Ø 4.0 JDEvolution [®] S

CLOSED TRAY

ESICCT32C	Impression coping closed tray Ø 3.2 JDEvolution [®] S
ESICCT40C	Impression coping closed tray Ø 4.0 JDEvolution [®] S



Temporary Abutment:

ESTAEC	Temporary Abutment engaging JDEvolution [®] S
ESTANEC	Temporary Abutment non engaging JDEvolution [®] S



Immediate Temporary Abutment:

ESIT15C	Immediate Temporary Abutment h1.5 JDEvolution [®] S
EVITC	Healing cap



GP Abutment:

ESGPAE32C	GP Abutment Ø 3.2 JDEvolution® S
ESGPAE40C	GP Abutment Ø 4.0 JDEvolution® S
ES15GPAE40C	GP Abutment 15° Ø 4.0 JDEvolution® S



Anatomic Abutment:

ESAA15C	Anatomic Abutment Ø 4.0 H 1.5 JDEvolution® S
ESAA30C	Anatomic Abutment Ø 4.0 H 3.0 JDEvolution® S



Wax up Abutment:

ESWAEC	Wax-up Abutment engaging JDEvolution® S
ESWANEC	Wax-up Abutment non engaging JDEvolution® S



Prosthetic screw:

ESS	Abutment Screw JDEvolution® S
ESSA	Abutment Screw Angulated JDEvolution® S



Conical Abutment:

ESCA15C	Straight Conical Abutment H 1.5 JDEvolution® S
ESCA1725C	17° Angulated Conical Abutment H2.5 JDEvolution® S
ESCA3025C	30° Angulated Conical Abutment H2.5 JDEvolution® S
ESCASA	Screw for angulated Conical Abutment JDEvolution® S



TiBase, JDScanBody and Implant Replica CAD CAM:

ESSBCEC	JDScanBody for JDEvolution® S
ESTIBC	TiBase engaging JDEvolution® S
ESTIBNEC	TiBase non engaging JDEvolution® S
ESTIB15C	TiBase engaging H 1.5 JDEvolution® S
ESTIB15NEC	TiBase non engaging H 1.5 JDEvolution® S
ESTIB30C	TiBase engaging H 3.0 JDEvolution® S
ESTIB30NEC	TiBase non engaging H 3.0 JDEvolution® S
EVSCBOW	ScanBody for TiBase
ESANC	Implant replica CAD CAM for JDEvolution® S
ESPMNC	JD Pre-milled blanks and abutment screw JDEvolution® S



Gold Abutment:

ESGAEC

Gold Abutment engaging JDEvolution® S



Ball Abutment:

ESBA15

Ball Abutment H 1.5 JDEvolution® S

ESBA30

Ball Abutment H 3.0 JDEvolution® S

ESBA50

Ball Abutment H 5.0 JDEvolution® S

EVBAA

Ball Abutment replica JDEvolution® S

EVBAHC

Cap attachment housing and elastic retentive cap Ball Abutment

EVBAN

Elastic retentive cap Ball Abutment



Emi Abutment:

ESEMI15

Emi Abutment H 1.5 JDEvolution® S

ESEMI30

Emi Abutment H 1.5 JDEvolution® S

ESEMI50

Emi Abutment H 1.5 JDEvolution® S

EVEMIA

Emi Abutment replica JDEvolution® S

EVEMISCK

Smart cap attachment housing Emi Abutment

EVEMIHIC

Cap attachment housing and elastic retentive cap Emi Abutment

EVEMIN

Elastic retentive cap Emi Abutment



Implant replica:

ESAN

Implant replica JDEvolution® S



Implant and Prosthetic Drivers

ESID

Implant Driver JDEvolution® S

ESIDL

Implant Driver Long JDEvolution® S

EVSDPF20

Screwdriver for torque wrench L20

EVSDPF25

Screwdriver for torque wrench L25

EVSDCAF

Screwdriver torque wrench Conical Abutment

EVSDP20

Screwdriver machine prosthetic L20

EVSDP25

Screwdriver machine prosthetic L25

EVSDP30

Screwdriver machine prosthetic L30

EVSDCA

Screwdriver machine Conical Abutment

EVSDPF25A

Screwdriver screw angulated for torque wrench L25

EVSDPF30A

Screwdriver screw angulated for torque wrench L30





JDENTALCARE

www.jdentalcare.com